

1 LAKH + SELECTED ASPIRANTS  
✓ CHOOSE **SMARTKEEDA**

NOW IT'S YOUR TURN!

**2025 ACHIEVERS**



**BEST OF SMARTKEEDA**

 **Mock Tests**

 **CA Mockdrill**

 **Speed Drills**

 **Topic Tests**

 **Sectionals**

 **Smart Video Course**

USE CODE **FEST25** for 10% OFF

# CA MOCKDRILL PRO

भूलना मना है!

## Pro Features

- NEWS IN THE FORM OF FLASHCARDS
- CHAPTER-WISE SEGREGATION OF NEWS ON A MONTHLY BASIS
- SMART 350 NEWS ON A MONTHLY BASIS
- QUESTIONS BASED ON EACH & EVERY CRUCIAL INFO GIVEN IN NEWS
- DIGITAL, FINANCIAL AWARENESS & RBI CIRCULARS
- INCORRECT ANSWERS REAPPEAR UNTIL YOU GET THEM RIGHT
- AI-POWERED WEEKLY & MONTHLY REVISIONS
- BILINGUAL (ENG + HINDI)



**POWER-UP  
YOUR CA**

**Warning:** Smartkeeda possesses all copyrights on its content. This doesn't allow anyone to use its content for commercial purposes. If any infringement is found, legal action will be taken against the individual or entity. If you want to use the content for commercial purposes, kindly write to us at [admin@smartkeeda.com](mailto:admin@smartkeeda.com)

## Blood Relations Questions for IBPS PO Pre and SBI PO Pre Exams.

### Blood Relation Quiz 42

1. If 'A × B' means 'A is brother of B', 'A ÷ B' means 'A is sister of B', 'A # B' means 'A is son of B', 'A @ B' means 'A is mother of B' then which option represents that H is the wife of P?

- A.  $C \times T \# H \div D \# P$                       B.  $B \div L \# H @ B \times P$                       C.  $T \times O \div H @ Q \# P$   
D.  $M \times R \times H @ Y \div P$                       E. None of these

**Directions (2-4):** Read the instructions carefully and answer the following questions.

There are 3 married couples in a family. K is the brother-in-law of M, who is an uncle of A. G is the only daughter of U, who is the grandmother of A. D is the brother-in-law of T and R is the sister-in-law of U. M is the nephew of R, who is a sibling of D. K and G are not siblings, and A is not a niece of M.

2. How is A related to D?

- A. Father                                      B. Son                                      C. Grandson  
D. Daughter                                      E. Cannot be determined

3. How is R related to G?

- A. Mother                                      B. Aunt                                      C. Sister  
D. Sister-in-law                                      E. Mother-in-law

4. Which of the following is incorrect?

- A. T is a male member                      B. U is the mother of M                      C. G is the wife of K  
D. K is the son-in-law of D                      E. G is the granddaughter of T



9. Four of the following five are alike in some way and hence form a group. Which of the following does not belong to the group?

A. J, I

B. I, M

C. K, P

D. I, N

E. K, M

10. How many male members are there in family?

A. 2

B. 1

C. 3

D. 4

E. Cannot determine.



[Join us](#)

[www.smartkeeda.com](http://www.smartkeeda.com) | [testzone.smartkeeda.com](http://testzone.smartkeeda.com)

SBI | RBI | IBPS | RRB | SSC | NIACL | EPFO | UGC NET | LIC | Railways | CLAT | RJS



[Join us](#)

**Correct Answers:**

<b>1</b>	<b>2</b>	<b>3</b>	<b>4</b>	<b>5</b>	<b>6</b>	<b>7</b>	<b>8</b>	<b>9</b>	<b>10</b>
C	C	B	E	C	B	E	C	D	E

# TOPIC TEST

**Features:**

- \* 900+ Tests
- \* Unlimited Retakes
- \* Detailed Analysis
- \* 9000+ Questions

**10% OFF** Use Code: **Fest25**

**Start your basic to advance journey now**

Smartkeeda.com





[Join us](#)

[www.smartkeeda.com](http://www.smartkeeda.com) | [testzone.smartkeeda.com](http://testzone.smartkeeda.com)

SBI | RBI | IBPS | RRB | SSC | NIACL | EPFO | UGC NET | LIC | Railways | CLAT | RJS



[Join us](#)

## 1. Reference:

'A × B' means 'A is brother of B'

'A ÷ B' means 'A is sister of B'

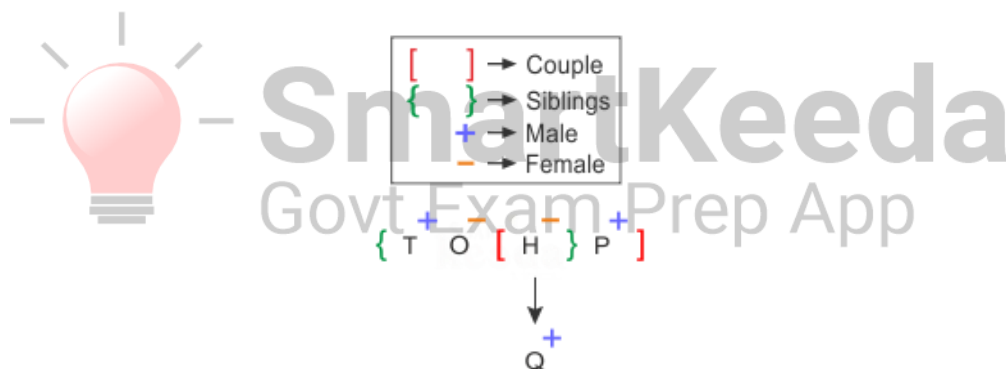
'A # B' means 'A is son of B'

'A @ B' means 'A is mother of B'

## Inference:

Blood Tree diagram for H is the wife of P.

From option C



## Common Explanation (2-4)

### References:

There are 3 married couples in a family.

K is the brother-in-law of M, who is an uncle of A.

G is the only daughter of U, who is the grandmother of A.

D is the brother-in-law of T and R is the sister-in-law of U.

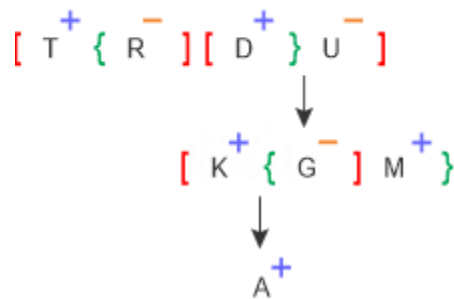
M is the nephew of R, who is a sibling of D.

K and G are not siblings, and A is not a niece of M.

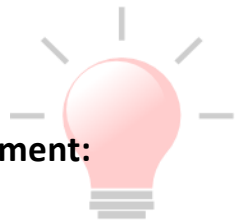
**Inferences:**

From above reference points we get,

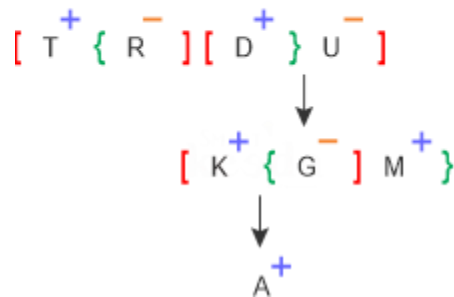
A is not a niece of M means A is the nephew of M.



Final arrangement:



SmartKeeda  
Govt Exam Prep App



2. From common explanation we get,

A is the grandson of D.

Hence, option C is correct.

3. From common explanation we get,

R is the aunt of G.

Hence, option B is correct.

4. From common explanation we get,

G is not the granddaughter of T, so the given statement is incorrect.

Hence, option E is correct.

### Common Explanation (5-7)

#### References:

There are seven members in a family.

K is the father-in-law of R and brother-in-law of L's sister.

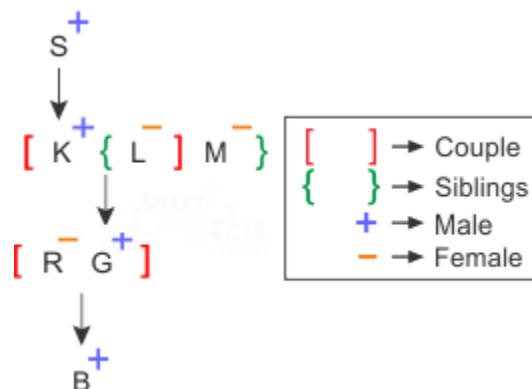
G is the nephew of M.

S is the grandfather-in-law of R and B is the grandson of M's sister.

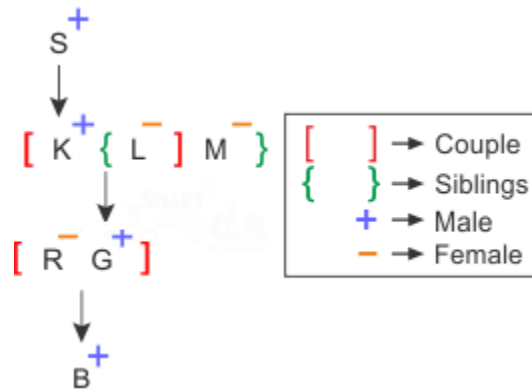
S is not the father of L.

#### Inferences:

From above reference points we get,



**Final arrangement:**



5. From common explanation we get,

S is the grandfather of G, and K is the grandfather of B.

Hence, option C is correct.

6. From common explanation we get,

M is the sister of L.

Hence, option B is correct.

7. From common explanation we get,

All of the given statements are correct.

Hence, option E is correct.

**Common Explanation (8-10)**

**References:**

J have only one granddaughter K.

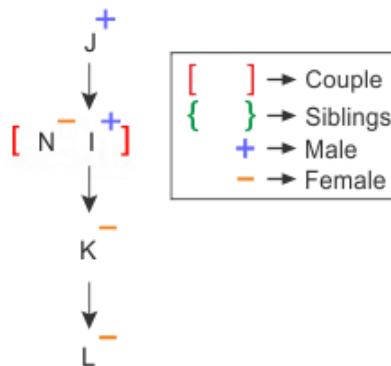
I is father of K.

L is daughter of K.

N is grandmother of L.

**Inference:**

From statements given above we get following arrangement:



**References:**

N is mother in law of O.

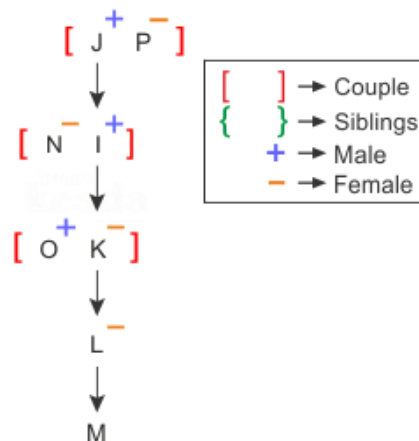
N is not sister of I.

O is maternal grandfather of M.

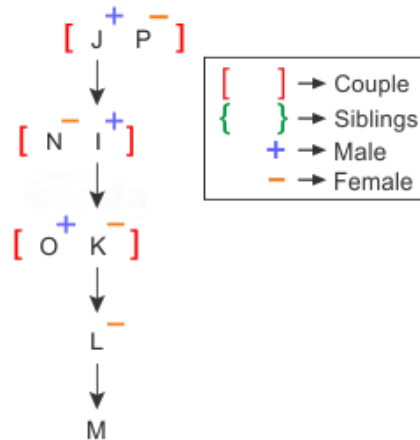
P is mother in law of N.

**Inference:**

From statements given above we get final arrangement as below:



**Final arrangement:**



8. From common explanation we get "Grandfather". K's husband is O who is grandfather of M.

Hence option C is correct answer.

9. From common explanation we get "I, N". In every option both persons belong to different generations but I and N belong to same generation.

Hence option D is correct answer.

10. From common explanation we get gender of M is unknown so total males cannot be determined.

Hence option E is correct answer.



[Join us](#)

[www.smartkeeda.com](http://www.smartkeeda.com) | [testzone.smartkeeda.com](http://testzone.smartkeeda.com)

SBI | RBI | IBPS | RRB | SSC | NIACL | EPFO | UGC NET | LIC | Railways | CLAT | RJS



[Join us](#)

 **Smartkeeda**  
presents



# SPEED DRILLS

India's first tool to improve

# SPEED & ACCURACY

in Bank Exams

Practice **40,000+** Ques in \_\_\_\_\_  
( English | Reasoning | Quant )

## Features:

- ◆ Improve Speed and Accuracy
- ◆ Unlimited no. of drills/quizzes
- ◆ Detailed Explanation
- ◆ AI Driven Analysis
- ◆ Topic Wise Questions

Useful For

RRB Clerk | RRB PO | IBPS Clerk |  
IBPS PO | SBI Clerk | SBI PO



**Smartkeeda**

Govt Exam Prep App

*Presents*

# Testzone

India's Leading Test Series Platform

All Banks Exams

2025-26

12 Months Plan

@Just

Rs. **539**

To get 10% Off use code **FEST25**

- ✓ Brilliant Test Analysis
- ✓ Excellent Content
- ✓ Unmatched Explanation

**Buy Now**

